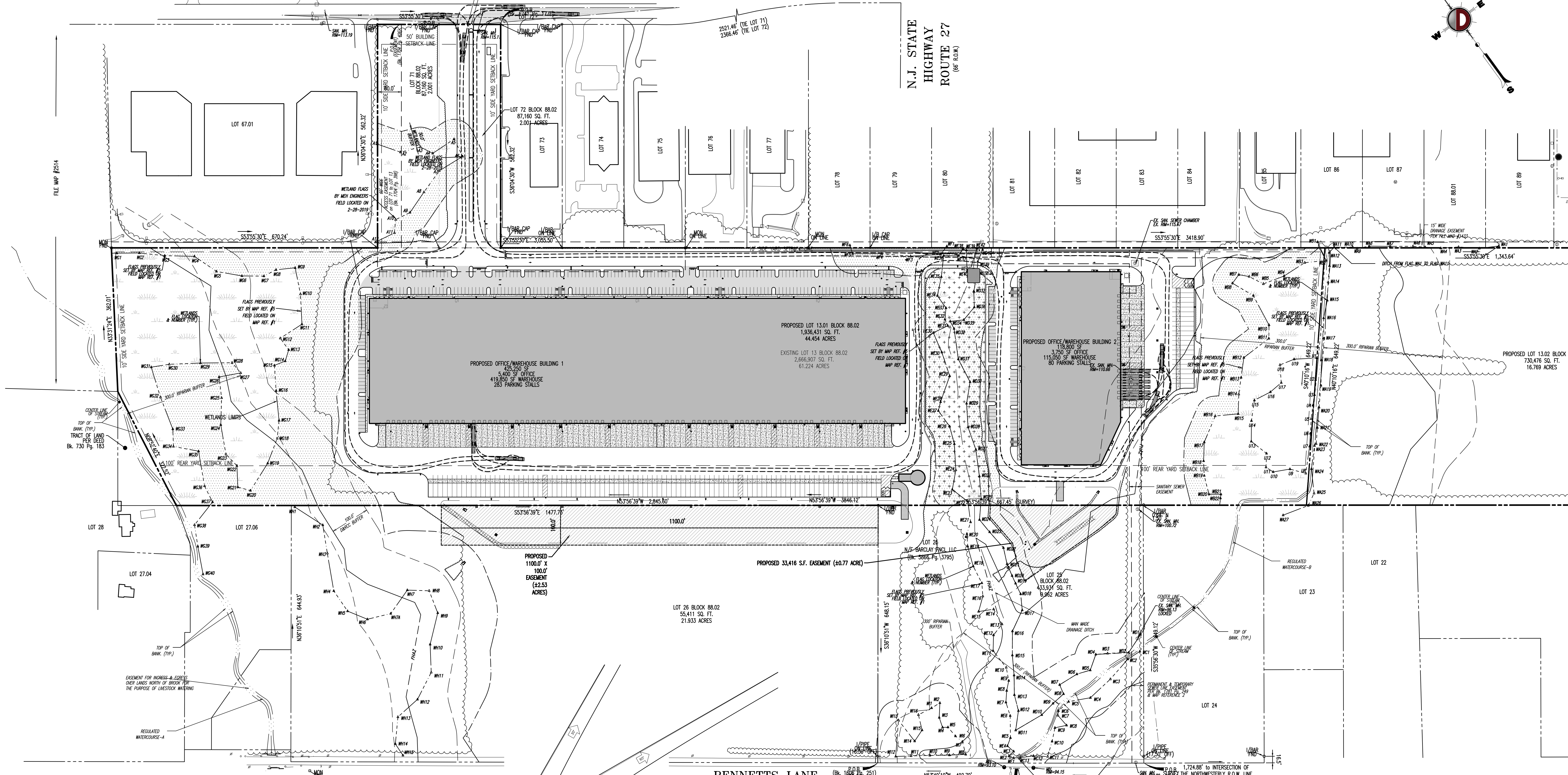
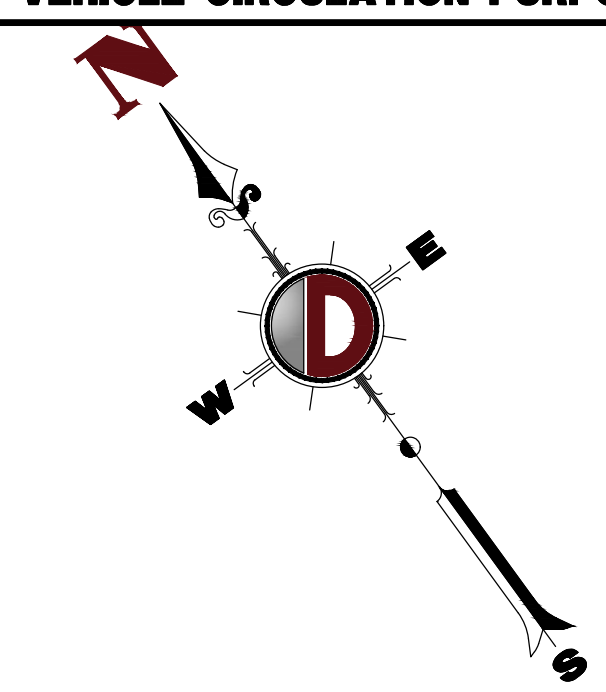
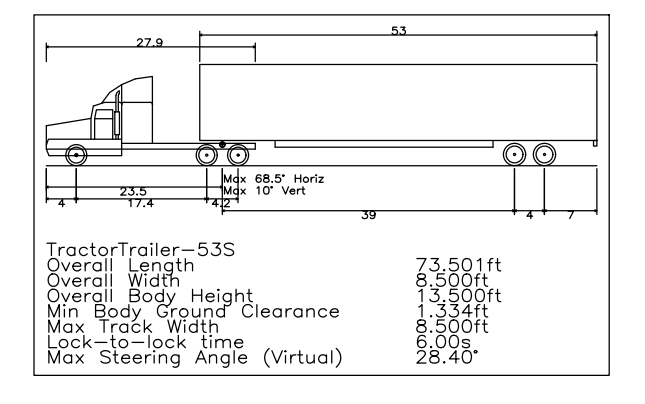
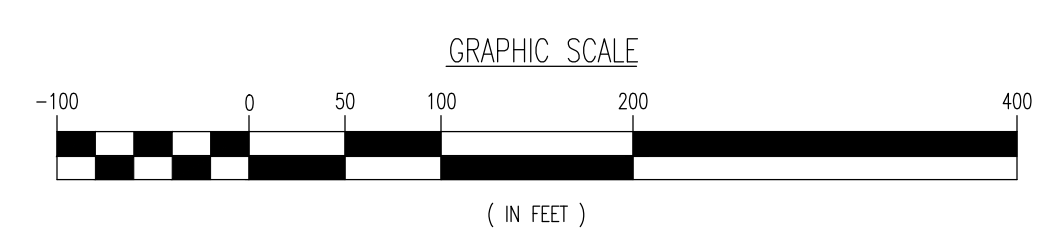


VERONICA AVENUE
(66' R.O.W.)
(40 MPH SPEED LIMIT)

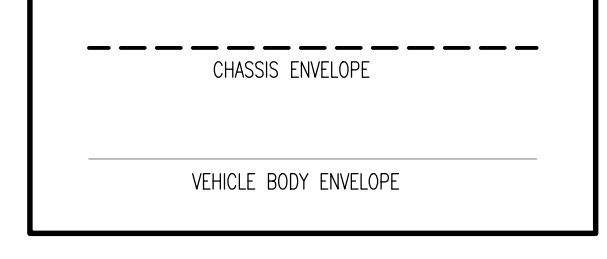
N.J. STATE
HIGHWAY
ROUTE 27
(66' R.O.W.)



BENNETTS LANE
(33' R.O.W.)



VEHICLE LEGEND:



THIS PLAN SET IS FOR PERMITTING PURPOSES ONLY AND MAY NOT BE USED FOR CONSTRUCTION

DYNAMIC ENGINEERING
LAND DEVELOPMENT CONSULTING • PERMITTING • GEOTECHNICAL • ENVIRONMENTAL • SURVEY • PLANNING & ZONING

1904 Main Street
Lakewood, NJ 07044
T: 732.974.0100
F: 732.974.0101
www.dynamiceng.com

TITLE: **VEHICLE CIRCULATION PLAN - WB-67**

PROJECT: **ELION ACO, LLC
PROPOSED WAREHOUSE FACILITIES**
BLOCK 88.02, LOT 13, 25, 26, 71 & 72
47 VERONICA AVENUE
TOWNSHIP OF FRANKLIN, SOMERSET COUNTY, NEW JERSEY

JOB No: 3372-99-001 DATE: 03/10/2020
SCALE: (H) 1"=100'
(V) 1"=100'

DESIGNED BY: JAR
CHECKED BY: RPF

ROBERT P. FREUD PROFESSIONAL ENGINEER
NEW JERSEY LICENSE No. 41938

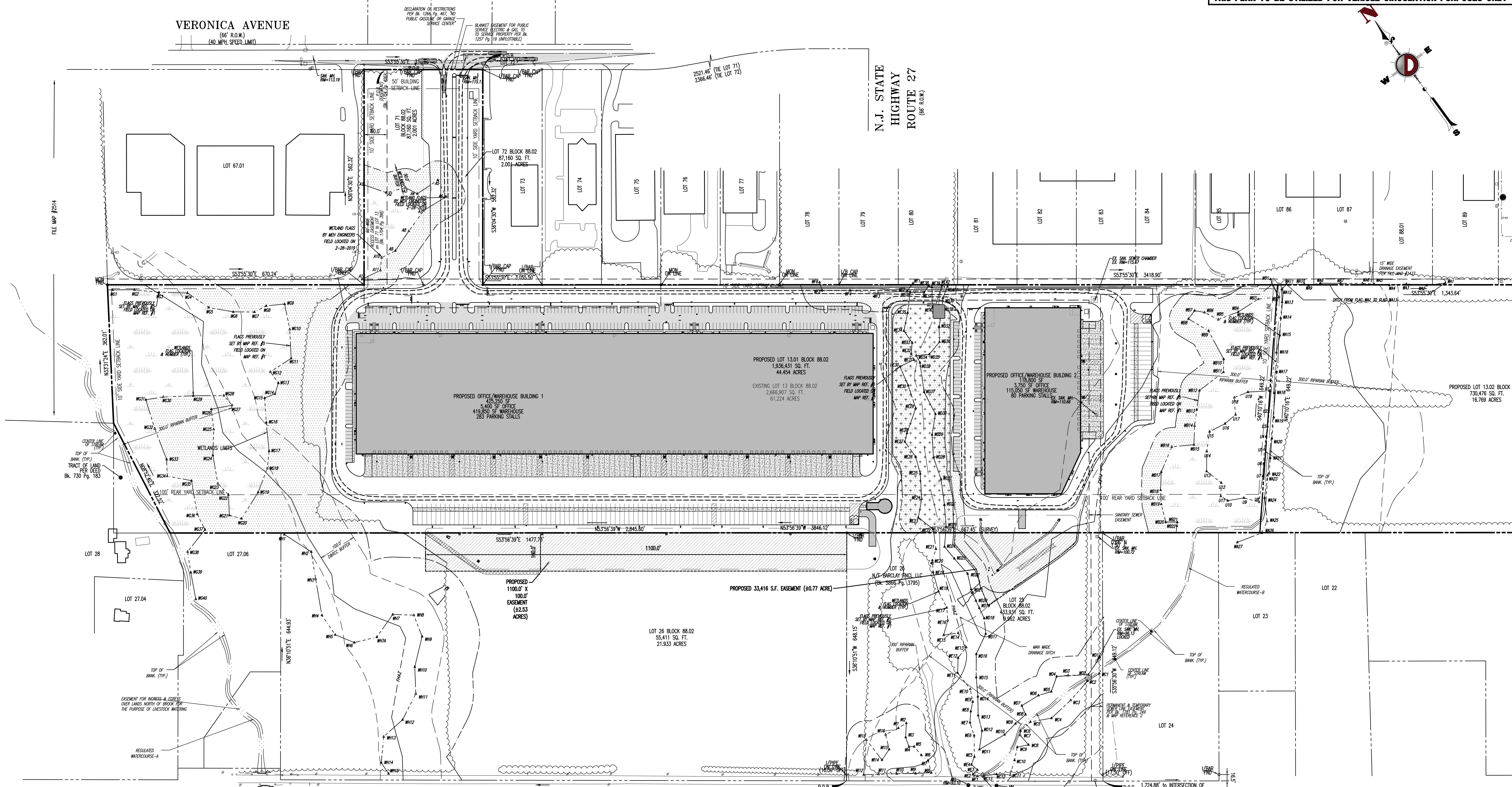
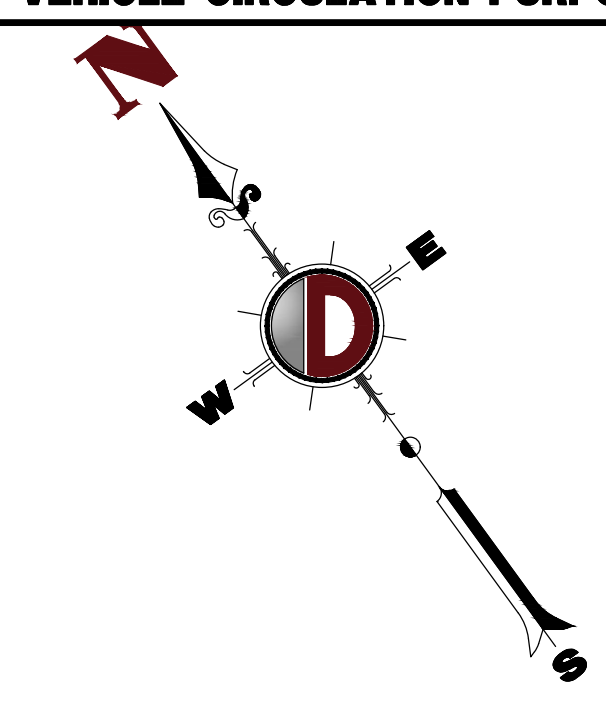
JORDAN A. RIZZO PROFESSIONAL ENGINEER
NEW JERSEY LICENSE No. 55346

39
OF 42

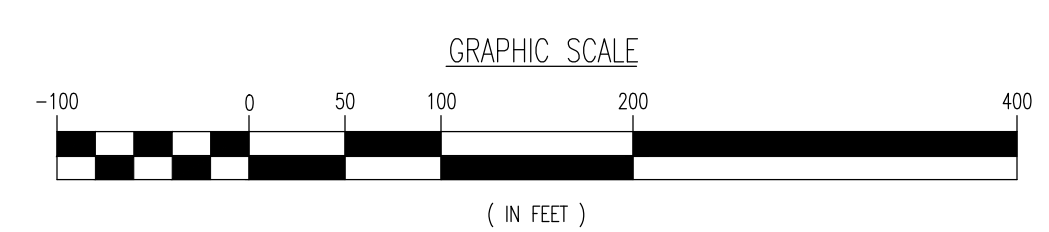
Printed: 05/17/20 - 6:23 PM, By: kpk, Product: Wb-23.16 (LMS Tech), Plot: P:\Users\kpk\Documents\3372-99-001_VehicleCirculation\3372-99-001_VehicleCirculation_Plan - WB-67

VERONICA AVENUE
(66' R.O.W.)
(40 MPH SPEED LIMIT)

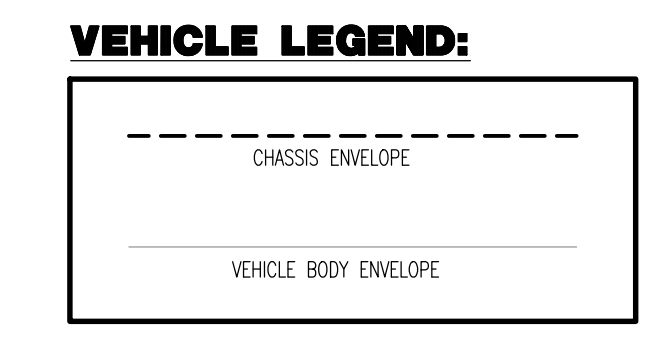
N.J. STATE
HIGHWAY
ROUTE 27
(66' R.O.W.)



BENNETTS LANE (33' R.O.W.)



Structure - Generic	Overall Length	Overall Height	Max. Body Ground Clearance	Load - Single Lane	Max. Wheel Angle
Truck	42.00	13.00	10.00	40,000	45.00
Tractor	30.00	13.00	10.00	40,000	45.00
Trailer	42.00	13.00	10.00	40,000	45.00



Rev.	Date	By	Comments
1	03/11/2020	RPF	REVISED PER TOWNSHIP COMMENTS

DYNAMIC ENGINEERING
LAND DEVELOPMENT CONSULTING • PERMITTING • GEOTECHNICAL • ENVIRONMENTAL • SURVEY • PLANNING & ZONING

1904 Main Street
Lakewood, NJ 07033
Tel: 732.974.0100
Fax: 732.974.0101
www.dynamiceng.com

TITLE: VEHICLE CIRCULATION PLAN - FIRE

PROJECT: ELION ACO, LLC
PROPOSED WAREHOUSE FACILITIES
BLOCK 88.02, LOT 13, 25, 26, 71 & 72
47 VERONICA AVENUE
TOWNSHIP OF FRANKLIN, SOMERSET COUNTY, NEW JERSEY

JOB No: 3372-99-001
DATE: 03/10/2020
SCALE: (H) 1"=100'
(V) 1"=200'
SHEET No: 40 OF 42

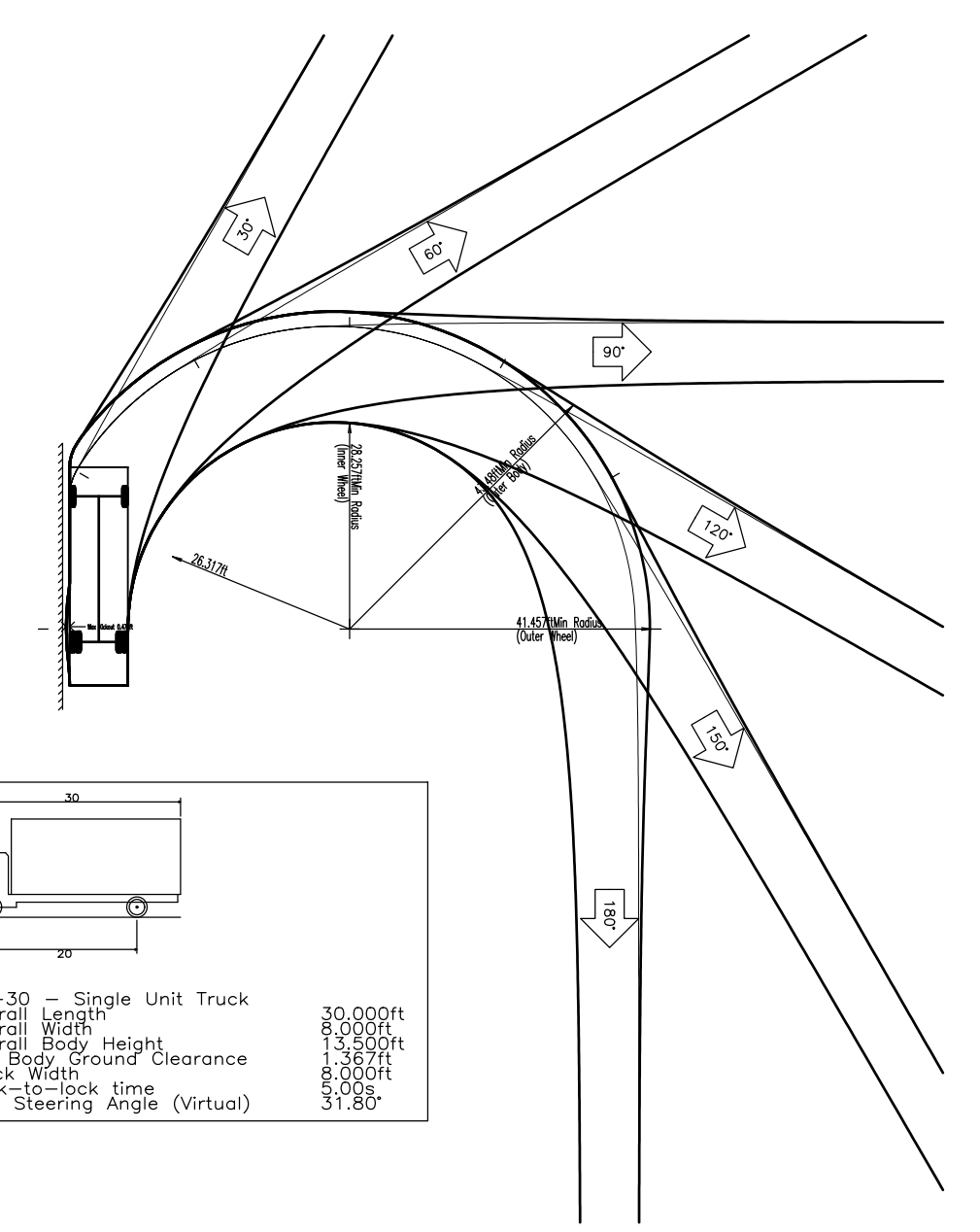
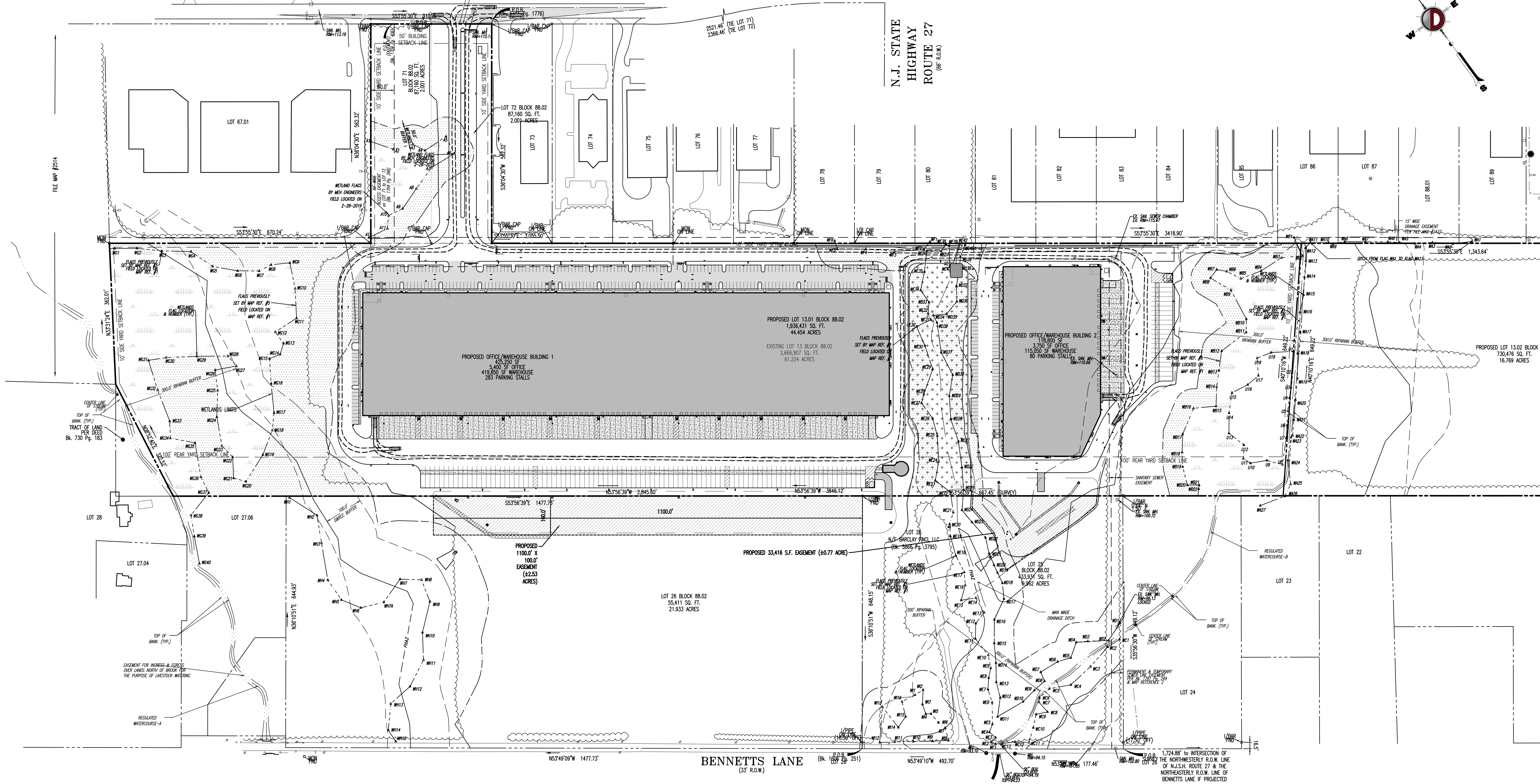
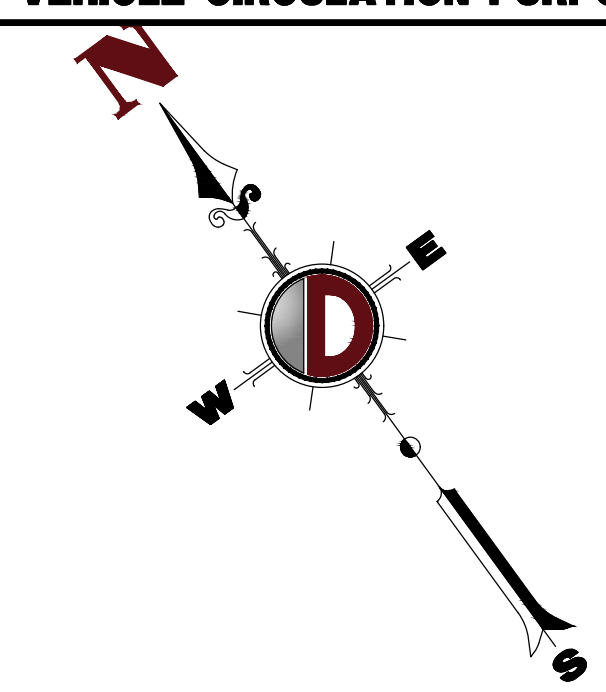
DESIGNED BY: JAR
CHECKED BY: RPF
PROF. ENGINEER: ROBERT P. FREUD (NJ License No. 41938)
PROF. ENGINEER: JORDAN A. RIZZO (NJ License No. 55346)

PROTECT YOURSELF!
FOR MORE INFORMATION, CONTACT US AT 732.974.0100
OR VISIT OUR WEBSITE AT WWW.DYNAMICENG.COM

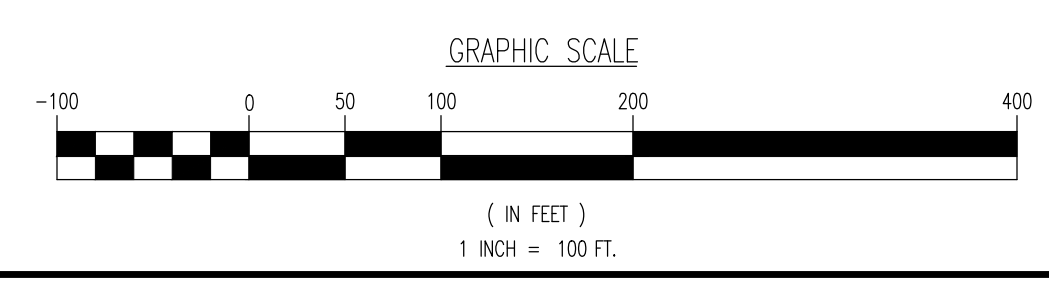
Printed: 05/17/20 8:24 AM By: ktk Product: Ver: 23.16 (LMS Tech) Plot: P:\Users\k\Projects\3372-99-001\Drawings\3372-99-001_VehCircPlan.dwg PLOT: 03/10/2020 10:14:46 AM

VERONICA AVENUE
(66' R.O.W.)
(40 MPH SPEED LIMIT)

N.J. STATE
HIGHWAY
ROUTE 27
(66' R.O.W.)



VEHICLE LEGEND:
--- CHASSIS ENVELOPE
— VEHICLE BODY ENVELOPE



THIS PLAN SET IS FOR PERMITTING PURPOSES ONLY AND MAY NOT BE USED FOR CONSTRUCTION

DYNAMIC ENGINEERING
LAND DEVELOPMENT CONSULTING • PERMITTING • GEOTECHNICAL • ENVIRONMENTAL • SURVEY • PLANNING & ZONING

1504 Main Street
Lakewood, NJ 07033
Tel: 732.974.1116
Fax: 732.974.1117
www.dynamiceng.com

VEHICLE CIRCULATION PLAN - SU-30

PROJECT: ELION ACO, LLC
PROPOSED WAREHOUSE FACILITIES
BLOCK 88.02, LOT 13, 25, 26, 71 & 72
47 VERONICA AVENUE
TOWNSHIP OF FRANKLIN, SOMERSET COUNTY, NEW JERSEY

JOB No: 3372-99-001
DATE: 03/10/2020
SCALE: (H) 1"=100'
(V) 1"=100'

DESIGNED BY: JAR
CHECKED BY: RPF

ROBERT P. FREUD
PROFESSIONAL ENGINEER
NEW JERSEY LICENSE No. 41938

JORDAN A. RIZZO
PROFESSIONAL ENGINEER
NEW JERSEY LICENSE No. 55346

41 OF 42

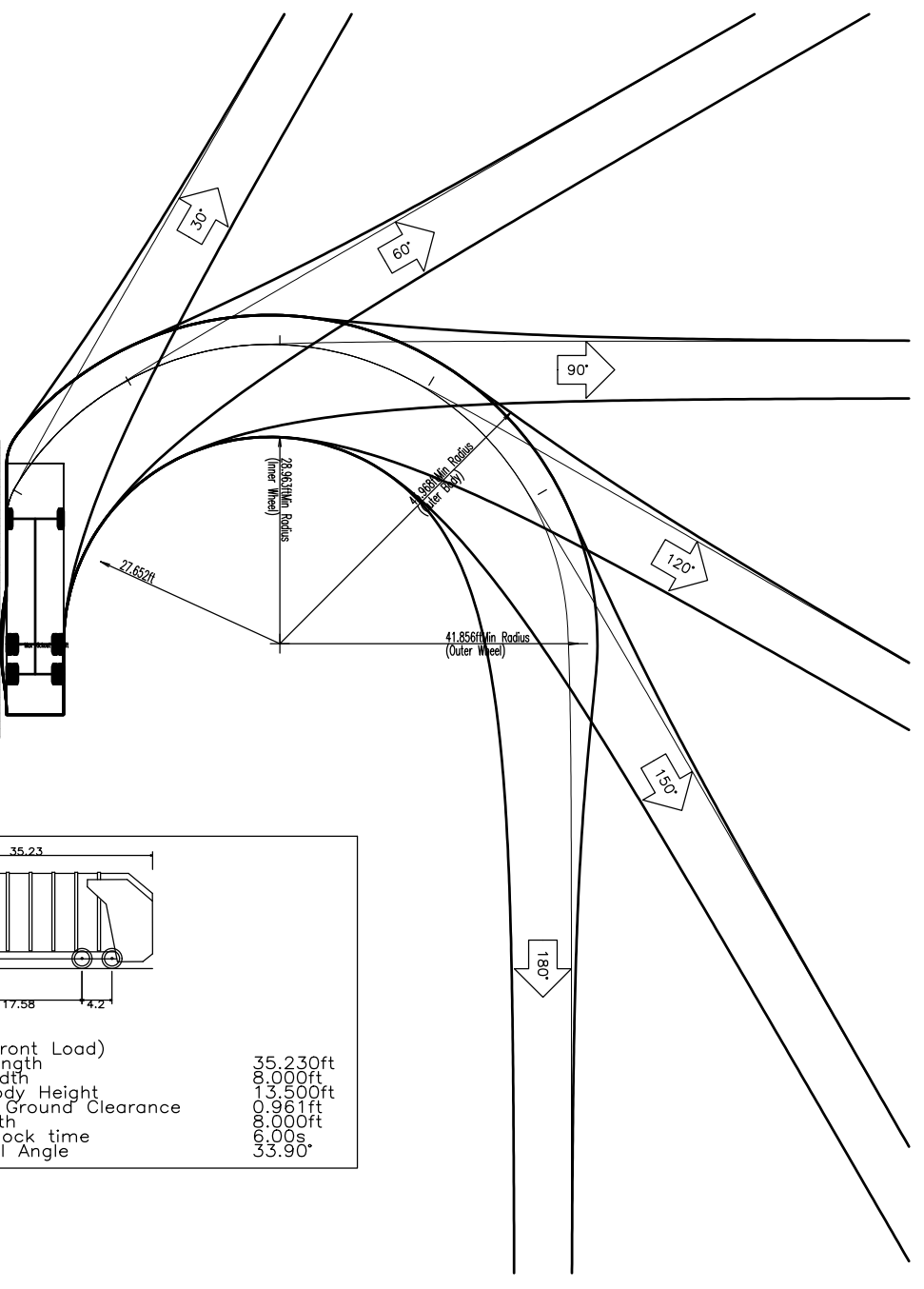
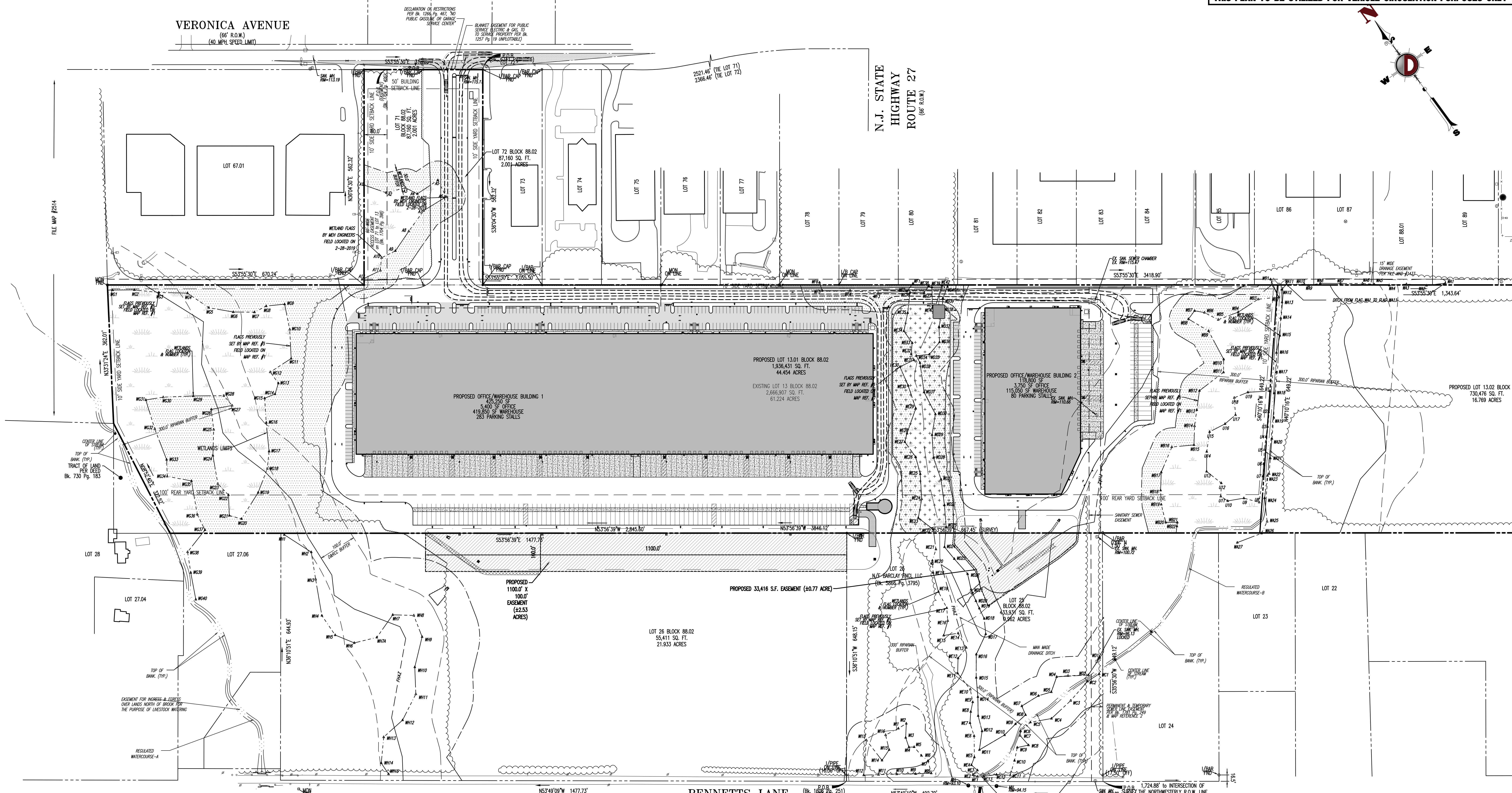
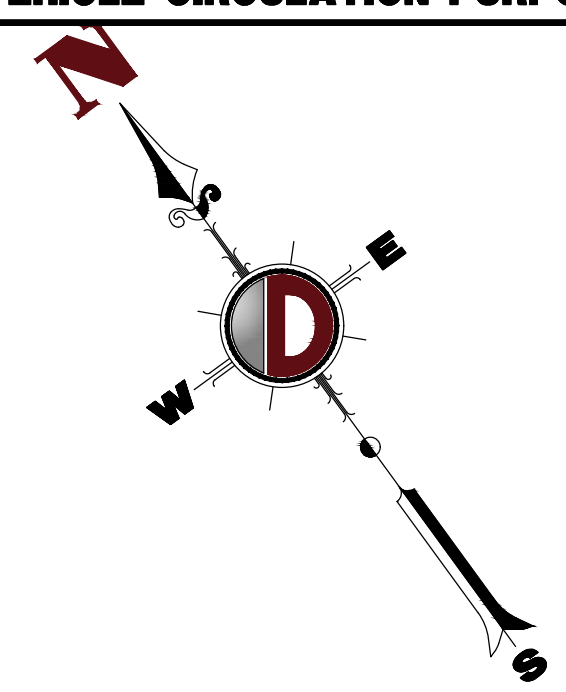
PROTECT YOURSELF
ALWAYS WEAR YOUR SEATBELT
NEVER DRINK AND DRIVE
DRIVING WHILE IMPAIRED
IS A CRIME IN NEW JERSEY
FOR MORE INFORMATION
CALL 800.487.3237

Printed: 05/17/20 8:25 AM By: ktk Product No: 23.16 (LMS Tech) Plot No: 23.16 Product: 03/22/20 Admin: Construction Company: SU-30-01 Program: Dwg Style: Peta\A\33729900\SU-30.dwg SU-30

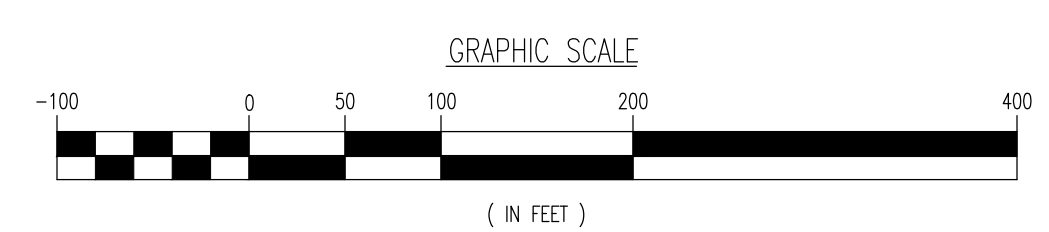
VERONICA AVENUE
(66' R.O.W.)
(40 MPH SPEED LIMIT)

N.J. STATE
HIGHWAY
ROUTE 27
(66' R.O.W.)

BENNETTS LANE
(33' R.O.W.)



Parameter	Value
Refuse (Front Load)	36.2' x 20ft
Overall Width	8.0' x 10ft
Overall Height	8.0' x 10ft
Clearance	8.0' x 10ft
Truck Wheel	8.0' x 10ft
Truck Wheel Angle	33.9°



THIS PLAN SET IS FOR PERMITTING PURPOSES ONLY AND MAY NOT BE USED FOR CONSTRUCTION

DYNAMIC ENGINEERING
LAND DEVELOPMENT CONSULTING • PERMITTING • GEOTECHNICAL • ENVIRONMENTAL • SURVEY • PLANNING & ZONING

1904 Main Street
Lakewood, NJ 07040
T: 732.974.1118
F: 732.974.1111
www.dynamiceng.com

1504 Main Street
Lakewood, NJ 07040
T: 732.974.1118
F: 732.974.1111
www.dynamiceng.com

TITLE: VEHICLE CIRCULATION PLAN – GARBAGE

PROJECT: ELION ACO, LLC
PROPOSED WAREHOUSE FACILITIES
BLOCK 88.02, LOT 13, 25, 26, 71 & 72
47 VERONICA AVENUE
TOWNSHIP OF FRANKLIN, SOMERSET COUNTY, NEW JERSEY

ROBERT P. FREUD PROFESSIONAL ENGINEER
NEW JERSEY LICENSE NO. 41938

JORDAN A. RIZZO PROFESSIONAL ENGINEER
NEW JERSEY LICENSE NO. 55346

42
OF 42

PROTECT YOURSELF
ALWAYS WEAR YOUR SEATBELT
NEVER DRINK AND DRIVE
DRIVING WHILE TEXTING IS A
DANGEROUS DISTRACTION
FOR MORE INFORMATION VISIT
WWW.CALL811.COM

Printed: 05/17/20 6:26 PM By: kpk Product: Mr.: 23.16 (LMS Tech) Plot: P:\Users\kpk\Projects\2020\Adm\Construction\Summary\337-99-001\Drawings\337-99-001.dwg -> GARBAGE